

# OUTDOOR TENTS OUTDOOR KIOSKS OUTDOOR BANNERS

## IN THIS SECTION

- event tents
- kiosks
- outdoor banners



# Event Displays

## Special Event & Festival Sales Kiosks, Counters & Shelters



# Mushroom Kiosk



Octagonal-style counter



Round-style counter



Half round counter



## Umbrella Mushroom Kiosk

Multi-purpose portable Pop-Up counter. Many design accessory options available.

Item #	Description	Price
<b>FLEXPO Counter: Octagonal Style</b>		
PC-F-10	Full 10' Pop-Up Counter:	\$1,480
PC-F-15	Full 15' Pop-Up Counter:	\$1,739
PC-HC-10	Half 10' Pop-Up Counter:	\$1,287
PC-HC-15	Half 15' Pop-Up Counter:	\$1,608
USC-10	Under-counter shelf (approx. 7" d x 42" w)	\$60

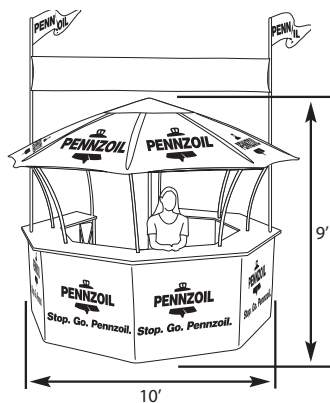
<b>FLEXPO Counter: Round Style</b>		
PC-R-10	Full 10' Round Counter:	\$1,450
PC-R-15	Full 15' Round Counter:	\$1,725
PC-HR-10	Half 10' Round Counter:	\$1,250
PC-HR-15	Half 15' Round Counter:	\$1,580
USC-10	Under-counter shelf (approx. 7" d x 42" w)	\$60

Umbrella Options		
MU-12	12' Market Umbrella (standard for 10' Kiosk)	\$875
MU-15	15' Market Umbrella (standard for 12' & 15' Kiosk)	\$1,700
SKY-B	Sky Banner Frame and Full Color Banner	\$710

Standard canopy top is white. Colors available with extra lead time at no extra charge. Call for quantity prices.

Printing Options		
PC-BW	Full color printed counter wrap	\$1,225
PC-HW	Full color printed counter wrap for half counters	\$985
MUAP-1111-2	Custom printed apron for Kiosk Umbrella front and back	\$750
MUAP-1111-4	Custom printed apron for Kiosk Umbrella four sides	\$975
MUAP-1111-8	Custom printed apron for all eight sections of Kiosk Umbrella	\$1,090

Shipping Options		
10' MushRoom Kiosks with Umbrella will pack in three <b>ST-12M</b> cases \$268 each		
15' MushRoom Kiosk with Umbrella will pack in one plywood crate \$525 and one <b>MU-114</b> tube: 12" x 114" \$325		



# Dome Kiosk



Octagonal-style counter



Round-style counter



MDM-90 Dome Kiosk

The following packages include counter & top canopy.

Item #	Description	Price
<b>Counter Options: Octagonal Style Counter</b>		
<b>LDM-65</b>	6.5' Little Dome Package	<b>\$2,290</b>
<b>MDM-90</b>	9' Mid Dome Package	<b>\$2,345</b>
<b>D-SLF</b>	Under Counter Shelf	<b>\$60 ea.</b>

**Counter Options: Round Style Counter**

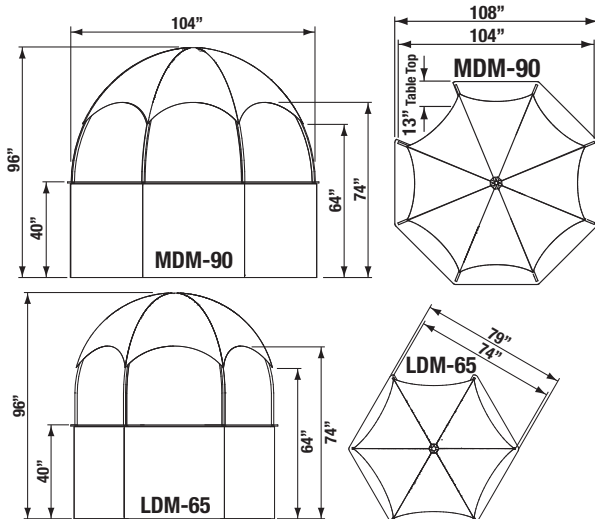
<b>LRM-65</b>	6.5' Little Dome Package	<b>\$2,250</b>
<b>MRM-90</b>	9' Mid Dome Package	<b>\$2,315</b>
<b>D-SLF</b>	Under Counter Shelf	<b>\$60 ea.</b>

**Graphic Printing Options**

<b>GM-TOP</b>	Top Canopy Printed Full Color	<b>\$1,125</b>
<b>GM-CW</b>	Counter Wrap Printed Full Color	<b>\$890</b>
<b>SKY-B</b>	Sky Banner Frame & Full Color Banner	<b>\$710</b>
<b>VEP-3</b>	Solid Color Pennant & Pole	<b>\$138</b>
<b>VEP-G</b>	Pennant Imprint (\$220 Minimum)	<b>\$110 ea.</b>

**Shipping Case Options**

<b>ST-12M</b>	26"x 48"x 12" Shipping case with wheels (2 needed per dome kiosk)	<b>\$268 ea</b>
---------------	--	-----------------



# Event Tents



The Event Tent offers high visibility while providing functional shelter for special events, trade shows and outdoor sales. The handsome styling provides an ideal setting for a sponsor's hospitality center. It is great for caterers, craftspeople and artisans. The basic Canopy style goes up in 60 seconds with no guy ropes or loose parts. Height is adjustable up to 8 feet. Removable side panels and graphic panels provide enhanced visibility for your logo or message. The Canopy style is available in 10'x10', 10'x15', and 10'x20'.

Canopy style available in 10x10, 10x15, and 10x20 (10x10 shown)

## Canopy Style Pop-Up Tents

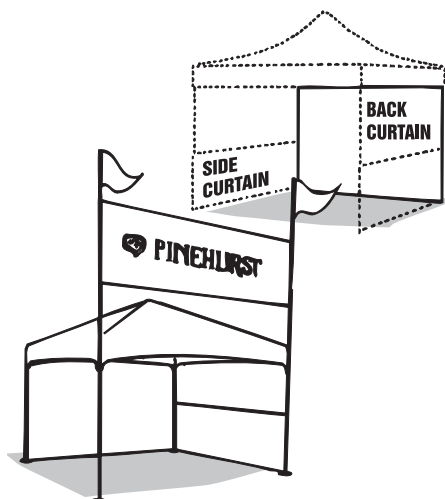
<b>Canopy 100</b>	Solid color 10'x10' Tent, 72 lbs	<b>\$925</b>
<b>Canopy 100-1</b>	10'x10' tent with one color logo on four peaks and four valances	<b>\$1660</b>
<b>Canopy 100-2</b>	10'x10' tent w/two color logo on four peaks and four valances	<b>\$1820</b>
<b>Canopy 100-FC</b>	10'x10' tent w/full color dye sub print on four peaks and four valances	<b>\$1980</b>
<b>Canopy 1015</b>	Solid color 10'x15' Tent, 95 lbs	<b>\$1125</b>
<b>Canopy 1015-1</b>	10'x15' tent w/one color logo on four peaks and four valances	<b>\$2130</b>
<b>Canopy 1015-2</b>	10'x15' tent w/two color logo on four peaks and four valances	<b>\$2420</b>
<b>Canopy 1015-FC</b>	10'x15' tent w/full color dye sub print on four peaks and four valances	<b>\$2680</b>
<b>Canopy 1020</b>	Solid color 10'x20' Tent, 130 lbs	<b>\$1395</b>
<b>Canopy 1020-1</b>	10'x20' tent w/one color logo on four peaks and four valances	<b>\$2995</b>
<b>Canopy 1020-2</b>	10'x20' tent w/two color logo on four peaks and four valances	<b>\$3440</b>
<b>Canopy 1020-FC</b>	10'x20' tent w/full color dye sub print on four peaks and four valances	<b>\$3860</b>



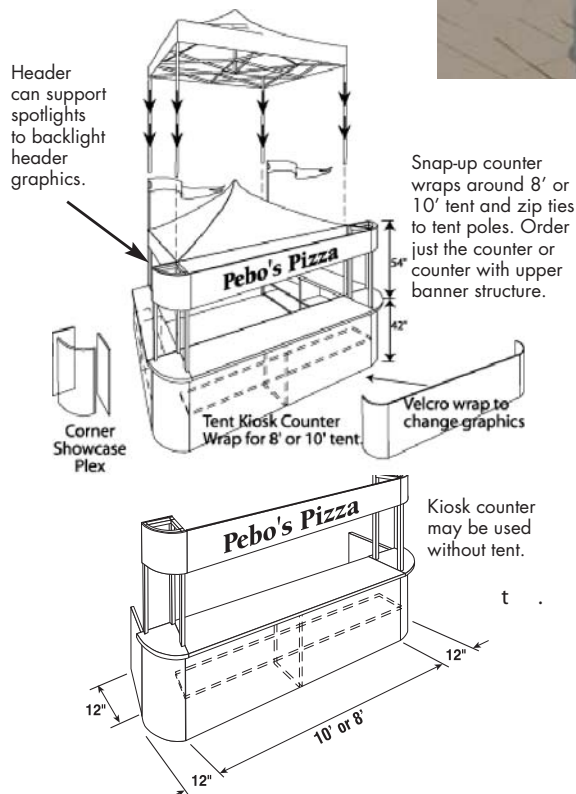
Tent Cluster with four 10'x10' Canopy Tents and Market Umbrella

## Tent options and accessories

Item #	Description	Price
<b>KP-SP-10</b>	Plain solid color side or back wall, 10'x8'h	<b>\$175</b>
<b>KP-SP-10-1</b>	Full color dye sub printed side or back wall, single sided 10'x8'h	<b>\$640</b>
<b>KP-SP-10-2</b>	Full color dye sub printed side or back wall, double sided 10'x8'h	<b>\$1120</b>
<i>Rail curtain kit and rod</i>		
<b>KP-RC-10</b>	10'1 x 3'h Panel and rod, solid color	<b>\$150</b>
<b>KP-RC-10-1</b>	10'1 x 3'h Panel and rod, full color dye sub print, single sided	<b>\$328</b>
<b>KP-RC-10-2</b>	10'1 x 3'h Panel and rod, full color dye sub print, double sided	<b>\$556</b>
<b>KP-GB-1</b>	Sky banner frame with full color dye sub printed banner, single sided	<b>\$540</b>
<b>KP-GB-2</b>	Sky banner frame with full color dye sub printed banner, double sided	<b>\$730</b>
<b>VEP-3</b>	Pennant and telescoping pole (red, white, blue, green, yellow)	<b>\$138</b>
<b>VEP-G</b>	Full color graphic imprint on each pennant (\$220 minimum)	<b>\$110</b>
<i>Deluxe Carry Bags with Wheels</i>		
<b>KP-CB-10</b>	For 10x10 tent	<b>\$152</b>
<b>KP-CB-15</b>	For 10x15 tent	<b>\$176</b>
<b>KP-CB-120</b>	For 10x20 tent	<b>\$198</b>
<i>Anchor Bags and Stakes</i>		
<b>KP-AB-4</b>	Set of four sand bags to wrap bottom of corner support poles	<b>\$90</b>
<b>KP-AB-6</b>	Set of six sand bags	<b>\$121</b>
<b>ST-KIT</b>	Stake kit	<b>\$47</b>

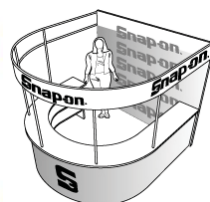


# Tent Kiosk Counter



Item #	Description	Price
<b>GG-CK12C</b>	Kiosk counter for 10' tent	<b>\$1,480</b>
<b>GG-CK12R</b>	Upper riser for 10' tent	<b>\$775</b>
<b>GG-CKFW-10</b>	Full color dye sub printed fabric base wrap for 10' tent counter	<b>\$725</b>
<b>GG-CKHW-10</b>	Full color dye sub printed fabric header wrap for 10' tent counter	<b>\$270</b>
<b>GG-CK10C</b>	Kiosk counter for 8' tent	<b>\$1,450</b>
<b>GG-CK10R</b>	Upper riser for 8' tent	<b>\$760</b>
<b>GG-CKFW-8</b>	Full color dye sub printed fabric base wrap for 8' tent counter	<b>\$695</b>
<b>GG-CKHW-8</b>	Full color dye sub printed fabric header wrap for 8' tent counter	<b>\$265</b>
<b>Options</b>		
<b>GG-CKSC-3</b>	Set of 3' side counters	<b>\$970</b>
<b>GG-CKSH-3</b>	Set of 3' side upper riser headers	<b>\$515</b>
<b>GG-CKSC-3FW</b>	Set of 3' side counter graphic wraps	<b>\$385</b>
<b>GG-CKSH-3HW</b>	Set of 3' side upper riser headers graphic wraps	<b>\$290</b>
<i>* Full size side counters and headers same price as front counters and headers</i>		
<b>GG-CK-PLEX</b>	3-Piece set of clear plex panels to enclose corner and form secure product showcase	<b>\$195</b>
<b>GPC-48</b>	Shipping case with wheels (each counter unit will pack in 2 cases)	<b>\$238 ea.</b>

## Merchant Promo Kiosk



The Merchant Promo Kiosk is a complete 10x10 package (other sizes available) with light-weight components, plenty of counter space and storage, and plenty of display space for promotional copy and graphics.

Item #	Description	Price
<b>PC-U-10</b>	Merchant promo counter	<b>\$1,600</b>
<b>PC-BIZ</b>	Merchant promo kiosk backwall	<b>\$1,560</b>
<b>PC-U-HF</b>	Header frame	<b>\$680</b>
<b>PC-U-HG</b>	Full color header graphic	<b>\$645</b>
<b>PC-U-PB</b>	Full color printed base wrap	<b>\$1,225</b>
<b>ST-12M</b>	Shipping case with wheels <i>(Five needed for full unit)</i>	<b>\$268 ea.</b>

## Custom Tent Concepts



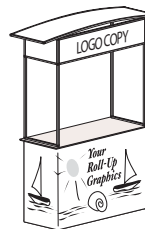
## Vendor Instant Promo/Sampling Station



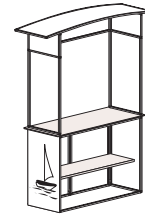
The Vendor instant promo stand provides a portable indoor/outdoor demo stand option. It offers a large under counter storage area. Removable full color digital graphic wraps can be used for branding, or go with a velcro receptive panel to which you can apply graphics that need to change frequently. Additional storage and sampling counter space can be achieved by adding one or two side modules. Base wrap available in many colors.

### Custom Sizes Available

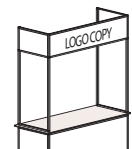
Item #	Description	Price
<b>VEND-ST</b>	Vendor instant promo stand base unit, 24" d x 44" w x 40" h	<b>\$585</b>
<b>VEND-SH</b>	Vendor stand interior shelf	<b>\$65</b>
<b>VEND-BH</b>	Banner header frame, 12" h, three sided frame	<b>\$165</b>
<b>VEND-CH</b>	Canopy top - PVC	<b>\$195</b>
<b>VEND-SF</b>	Simple sign frame, centered over counter, 12" h	<b>\$115</b>
<b>VEND-BW</b>	Full color dye sub printed fabric base wrap, covers sides and front	<b>\$285</b>
<b>VEND-HW</b>	Full color dye sub printed fabric header wrap, covers sides and front	<b>\$195</b>
<b>VEND-HS</b>	Full color simple header, dye sub fabric	<b>\$95</b>
<b>VEND-PN</b>	Printed pennant with internal straightening rod to keep pennant "flying"	<b>\$175</b>
<b>VEND-TB</b>	Canvas tote bag with shoulder strap to carry Vendor stand <i>(One full unit with canopy top and header frame will fit in one bag. Side module requires second bag, 2 sides will fit in one bag)</i>	<b>\$98</b>
<b>GPC-48</b>	Shipping case (12" x 26" x 48")	<b>\$238</b>



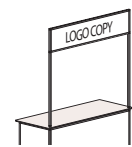
VEND-CH Canopy Top



VEND-SH Interior shelf



VEND-BH 3-sided sign frame with VEND-HW 3-sided dye sub header

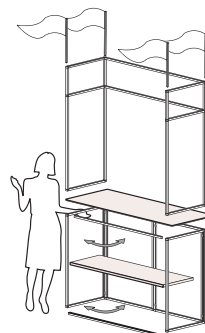


VEND-SF sign frame with VEND-HS dye sub header

VEND-ST Base unit with fabric wrap  
VEND-BW 3-sided dye sub base wrap



Extra-wide vendor stand with rounded header and graphics. As shown, **\$1985** plus shipping case



VEND-PN printed pennants

**Sturdy construction utilizes hinges and snap connectors for ease of assembly.**

# Outdoor Displays

## Large Format Outdoor A-frame Stands with Water Filled Bases

**AF-820** 8'h x 20'w Water filled single or double sided A-Frame stand: **\$798**

**Graphic-3:** Full color dye sub. fabric graphics 8'h x 20'w **\$1,552 ea**



**AF-810** 8'h x 10'w Water filled single or double sided A-Frame stand: **\$412**

**Graphic-3:** Full color dye sub. fabric graphics 8'h x 10'w **\$796 ea.**

## Banner Sail II



### Economy Outdoor A-Frame

Collapsible aluminum frame to support 36" x 96" w banner(s). Use with one banner or a banner on each side (Custom sizes available).

<b>EC-AF-36</b> 36" x 96" w Frame	<b>\$195</b>
Vinyl Banner 36" x 96"	<b>\$192 ea.</b>
Dye sub. fabric banner	<b>\$298 ea.</b>



**BS-II-500** 17' Banner Sail indoor/outdoor banner stand, adjusts to 17.5'h, 15.5'h, & 13.5'h Base fills with water (without banner **\$298**)

Stand w/36" w x 144" h banner		Stand w/36" w x 120" h banner		Stand w/36" w x 96" h banner	
Single-Sided	Double-Sided	Single-Sided	Double-Sided	Single-Sided	Double-Sided
<b>\$766</b>	<b>\$1,163</b>	<b>\$688</b>	<b>\$1,020</b>	<b>\$634</b>	<b>\$918</b>

For 5 units deduct 15%, 10 units -20%, 25 units -25%

## Sidewalk Frame



**SW-DF-22:** Double sided poster holder with water filled base & springs for windy environments 22.5" w x 32" h graphic insert: **\$230 ea.**

Vinyl graphic **\$80 ea**

## In and Outdoor Banner Stands

The In and Outdoor Banner Stand can be used indoors or out. The base can be filled with water or sand.

**IO-1:** Single sided stand for banners, from 24-30" w x 60" h: **\$190 ea.**

**IO-2:** Single or Double sided stand for banners, from 24" w x 61" h: **\$178 ea.**



**IO-1**

**IO-2**

# Flying Banners and PopOut Signage



Flying Feather



PopOut TriTower



## Flying Feather Banner Pole

The Flying Feather is a banner system that lends graphic impact to your product or company for an outdoor or indoor event. Large upper area for your message. Base pivots and swings like a windvane to contend with a stiff breeze. Travels in a small tote bag and assembles in sections like a fishing rod.

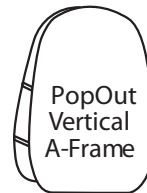
With Full Color Graphics			Qty			
Item #	Description	Size	1	5	10	25
FF-3279	Flying Feather	32" x 8' high	\$468	\$306	\$262	\$238
FF-38110	Flying Feather	38" x 10' high	\$828	\$552	\$468	\$455
FF-39156	Flying Feather	39" x 15' high	\$930	\$744	\$582	\$516
FF-40240	Flying Feather	40" x 20' high	\$1,028	\$862	\$794	\$716

Note: Price includes carry bag and ground stake.

Add: **\$45** for **FFB** Fixed Folding Base for indoor use. **\$75** for **FFRB** Rotating Folding Base for outdoor use. **\$58** for **FFCB** Car Mount Base.

**FBPO-AC** Art Charge - One time setup charge: **\$150**

Double Sided Flying Feather: Double Price, **add-D to item #** (For example FF-3279-D)



## PopOut A-Frame

Two-sided vertical sign banner with same fold up features as other PopOuts. Medium high profile, tall enough to catch attention but not too high to block vision.

With Full Color Graphics			Qty			
Item #	Description	Size	1	5	10	25
PO-VAF-2436	Vertical A-Frame	24" x 36"	\$552	\$390	\$330	\$270
PO-VAF-3960	Vertical A-Frame	40" x 60"	\$918	\$546	\$468	\$432
PO-VAF-4080	Vertical A-Frame	40" x 80"	\$1,344	\$992	\$710	\$555

**FBPO-AC** Art Charge - One time setup charge: **\$150**



## PopOut Ground Tents

2-sided, horizontal, low profile signage, ideal for posting event sponsorship at various locations such as golf tournament holes and similar social or athletic events.

With Full Color Graphics			Qty			
Item #	Description	Size	1	5	10	25
PO-HAF-7839	Horizontal A-Frame	74" x 33"	\$1,344	\$992	\$710	\$555
PO-HAF-10644	Horizontal A-Frame	97" x 37"	\$1,590	\$1,170	\$984	\$779

**FBPO-AC** Art Charge - One time setup charge: **\$150**

## PopOut TriTower

Three-sided sign graphic. Weighs only 13 lbs! Folds and unfolds flat into a compact pouch for easy transport. Anchor flaps attached for pegs or weights. Pegs included. Makes a great banner for conferences, exhibitions, tournaments and events.

With Full Color Graphics			Qty			
Item #	Description	Size	1	5	10	25
PO-3PT-4483	3-Sided Tower	43" x 83"	\$1,494	\$1,146	\$1,002	\$954
PO-3PT-49118	3-Sided Tower	48" x 108"	\$2,010	\$1,590	\$1,494	\$1,350

**FBPO-AC** Art Charge - One time setup charge: **\$150**

# Event Displays

## AirFlatable Event Pavilions

Within minutes, the inflatable pavilion becomes the center of attention for your promotional event, information, distribution and sampling display. The optional printed apron provides high profile space for branding your event and product. The printed banner apron builds your image from the top down and provides visibility to your company or brand that can't be ignored.



### AirFlatable Event Pavilions

Prices include heavy duty storage tarp, inflation fan and steel ground stakes.

Item #	Description	Price
<b>AFLEP-30</b>	30' Diameter (includes 8 legs/doorways)	<b>\$8,400</b>
<b>AFLEP-30-P</b>	30' Diameter w/ Full Digital Print Skin	<b>\$11,980</b>
<b>AFLEP-30-D</b>	Optional Standard Fabric, Clear and/or Screen Doors	<b>\$185 ea.</b>
<b>AFLEP-30-DP</b>	Optional Digitally Printed Doors	<b>\$485 ea.</b>
<b>AFLEP-40</b>	40' Diameter (includes 10 legs/door ways)	<b>\$13,190</b>
<b>AFLEP-40-P</b>	40' Diameter w/ Full Digital Print Skin	<b>\$18,440</b>
<b>AFLEP-40-D</b>	Optional Standard Fabric, Clear and/or Screen Doors	<b>\$195 ea.</b>
<b>AFLEP-40-DP</b>	Optional Digitally Printed Doors	<b>\$495 ea.</b>
<b>AFLEP-50</b>	50' Diameter (includes 10 legs/doorways)	<b>\$15,370</b>
<b>AFLEP-50-P</b>	50' Diameter w/ Full Digital Print Skin	<b>\$21,160</b>
<b>AFLEP-50-D</b>	Optional Standard Fabric, Clear and/or Screen Doors	<b>\$235 ea.</b>
<b>AFLEP-50-DP</b>	Optional Digitally Printed Doors	<b>\$675 ea.</b>

#### Additional Options:

<b>AFLEP-55</b>	Optional 55 Gallon Drums w/Printed Covers and Anchor Straps	<b>\$280 ea.</b>
<b>AFLEP-CT</b>	Optional 65" L x 48" W x 41" H Storage Container	<b>\$1,370 ea.</b>
<b>AFLEP-CST</b>	Add 6" Casters to Container	<b>\$295 per crate</b>

## Make A Grand Entrance



### GrandEntrance AirFlatable

High impact first impression is what you get with the Grand Entrance Arch display. Your company or brand will dominate the event entrance or event gathering area. Full color apron banners puts you front and center. It also works well at the event exit. Can be used in or outdoors.

Item#	Description	Price
<b>GE-31</b>	31' W x 18' H x 5' D, with full digital printing	<b>\$7,875</b>
<b>GE-21</b>	21' W x 13' H x 3' D, with full digital printing	<b>\$4,151</b>
<b>GE-16</b>	16' W x 11' H x 3' D, with full digital printing	<b>\$3,255</b>

## AirFlatable Logos & Props

